



Hobbs AC Hour Meters

28100 Series

Unlike conventional AC hour meters that are limited to one primary voltage and frequency, the Hobbs Multi-Range Quartz hour meter will operate over a full range of voltages and frequencies. The meters will work accurately over a voltage range of 90 VAC to 264 VAC and at frequencies of either 50 Hz or 60 Hz. This unique feature means that one hour meter will work for virtually any application anywhere in the world!

Specifications

- Operating Voltage: 90 to 264 VAC
- Frequencies: 50 to 60 Hz
- Temperature Range: -40°F to +185°F

Features

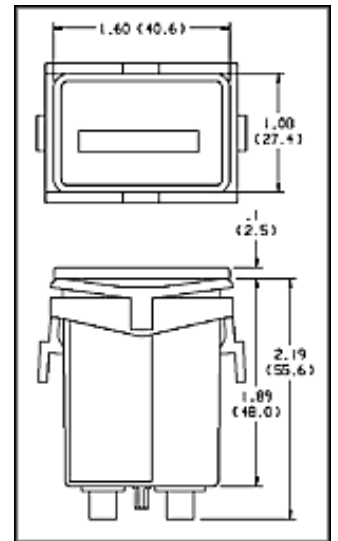
- Records time 0 to 99,999.9 hours
- Accuracy ±0.02%
- UL Recognized
- CSA (UL)
- CE Mark
- Totally sealed from dirt and moisture
- Termination - 1/4" spade



Retainer Mount

Operating Voltage	Part #
90-264 VAC	28100

AC Multi-Range Meters

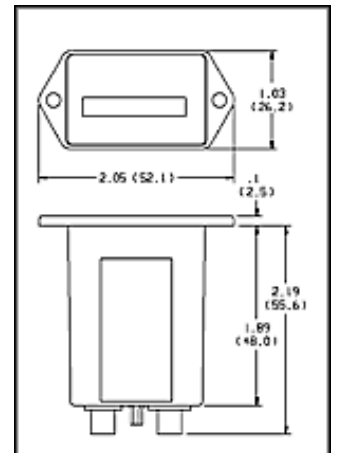


Retainer Mount:
Panel cutout 1.45 x .95 rectangular opening.
Two .150 holes spaced 1.750*



2 Screw Standard Bezel

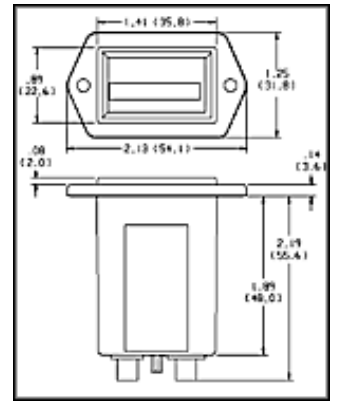
Operating Voltage	Part #
90 to 264 VAC	28101



2 Screw Standard: Panel cutout 1.45 x .95 rectangular opening.
Two .150 holes spaced 1.750*

Benefits

- Reduced parts count
- Reduced inventories
- Fewer purchase orders
- Eliminate production line errors
- Reduce service parts



2 Screw Deluxe Bezel	
Operating Voltage	Part #
90 - 264 VAC	28103

Options

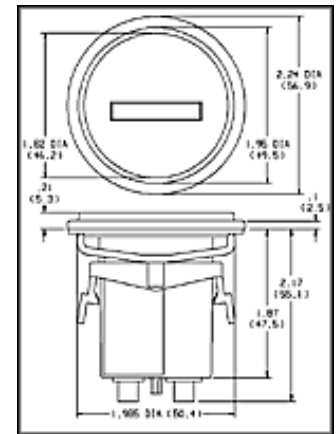
- Wire leads
- Custom lens
- Terminals (up, down, straight)

* Panel cutout dimensions are $\pm .010$ tolerance
All dimensions shown in inches and (metric)

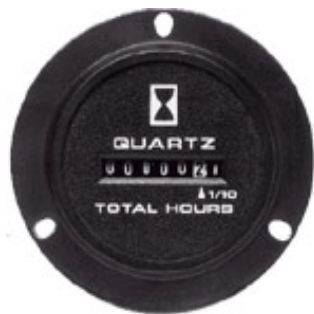
2 Screw Deluxe: Panel cutout 1.45 x .95 rectangular opening. Two .150 holes spaced 1.750*



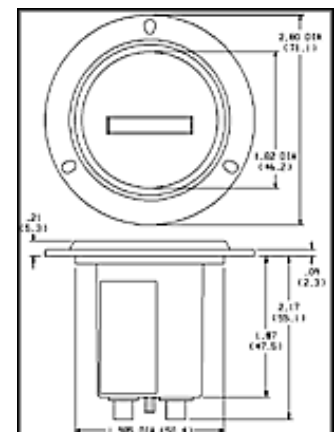
Round Black Bezel	
Operating Voltage	Part #
90 - 264 VAC	28104



Flush Mount (Retainer) 2.24": Panel cutout 2.00 diameter opening*



3 Screw	
Operating Voltage	Part #
90 - 264 VAC	28105



3 Screw Mount: Panel cutout 2.00 diameter opening Three .125 holes equally spaced on 2.42 bolt circle diameter*